

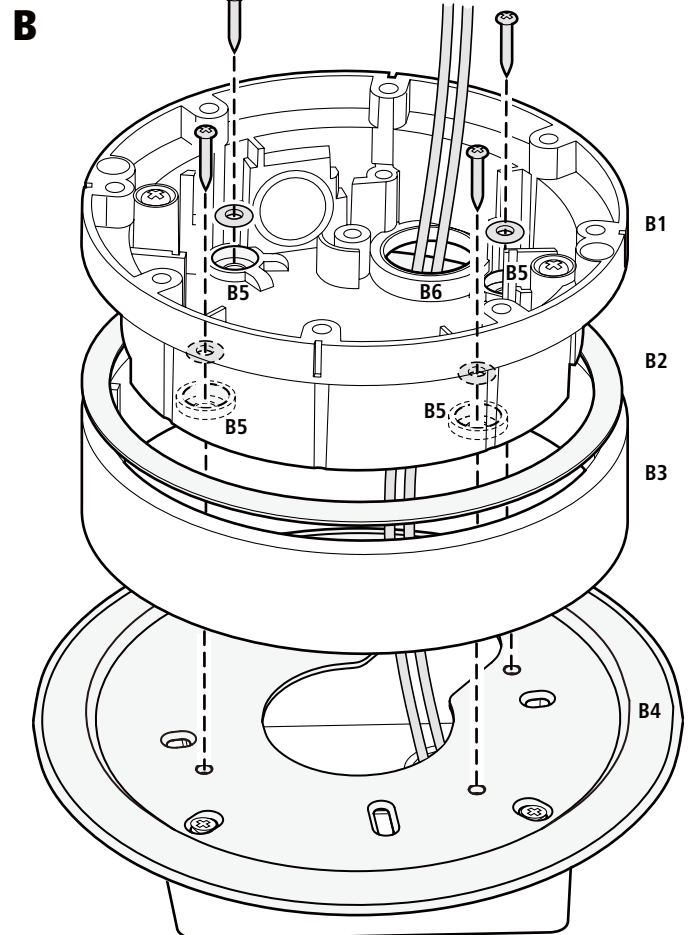
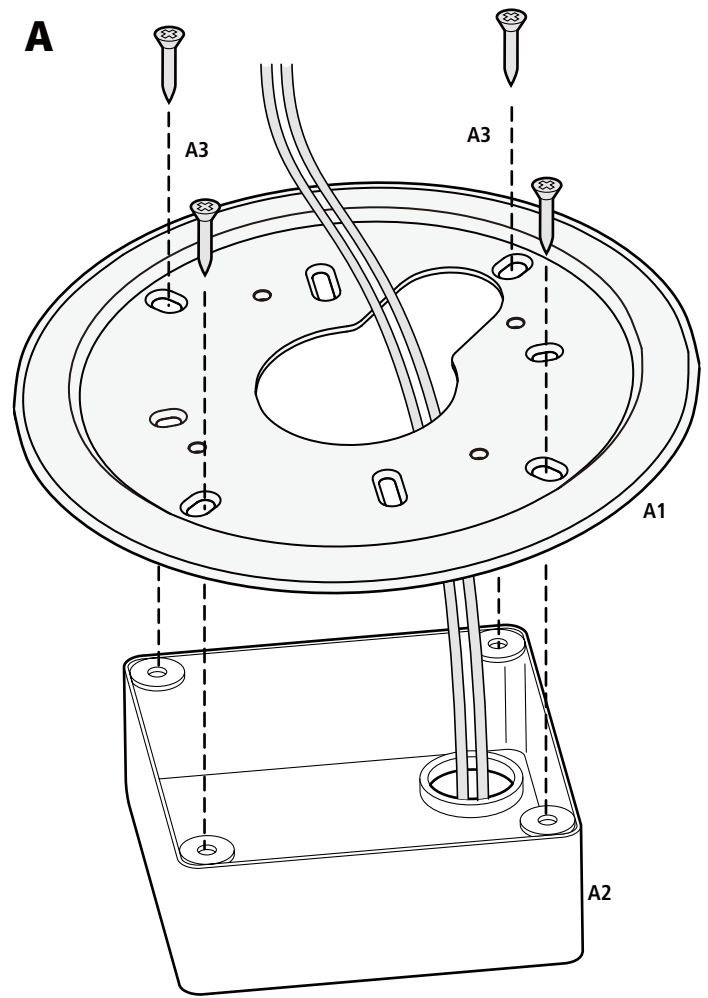
## To install the electrical box mount

- 1 Remove the dome cover and camera assembly (if fitted)**  
Follow the instructions provided with the dome enclosure to remove the cover and the camera assembly.
- 2 Open the enclosure base holes**  
Carefully open the four enclosure base mounting holes (**B5**) and also the base knockout (**B6**) for cable access.
- 3 Attach the mount plate to the electrical box**  
Orientate the mount plate (**A1**) so that the countersunk sides of its screw holes are facing away from the appropriate box (**A2**). Align the extended part of the mount plate's main hole with the access hole in the base of the box. Pass the power and video cabling through the main hole and then use the appropriate screws (**A3**) to attach the mount plate to the electrical box.  
**Note:** Depending on the manufacturer, 4S boxes have either 2 or 4 screw holes.
- 4 Attach the enclosure assembly to the mount plate**  
**IMPORTANT:** If the dome is being mounted externally, use a suitable sealant around the cable access hole to ensure a moisture resistant seal.  
Place the enclosure (**B1**) into its large rubber gasket (**B2**) and outer ring (**B3**). Orientate the resulting enclosure assembly so that the four base mounting holes align with those of the mount plate and the enclosure base knockout aligns with the main hole of the mount plate. Pass the cabling through the base knockout of the enclosure and then attach the enclosure to the mount plate (**B4**) using the four supplied o-ring seals and 3/16 x 1/2 screws.  
**Note:** Do not overtighten the securing screws.
- 5 Fit the camera assembly and replace the dome cover**  
Follow the instructions provided with the dome enclosure (and camera) to fit the camera assembly, connect the wiring, set-up the camera and replace the dome cover.

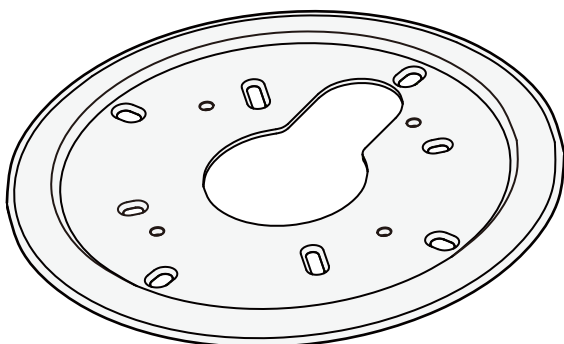
## Packing list

In addition to this installation sheet, your package should contain:

- 1 x ADCDMELEC Electrical Box Mounting Plate
- 1 x screw pack to fix the plate onto the electrical box.
- 4 x screws (3/16 x 1/2) to fix the dome enclosure onto the mount plate
- 4 x O-ring seals



## Indoor/Outdoor Dome Electrical Box Mounting Plate Installation Manual

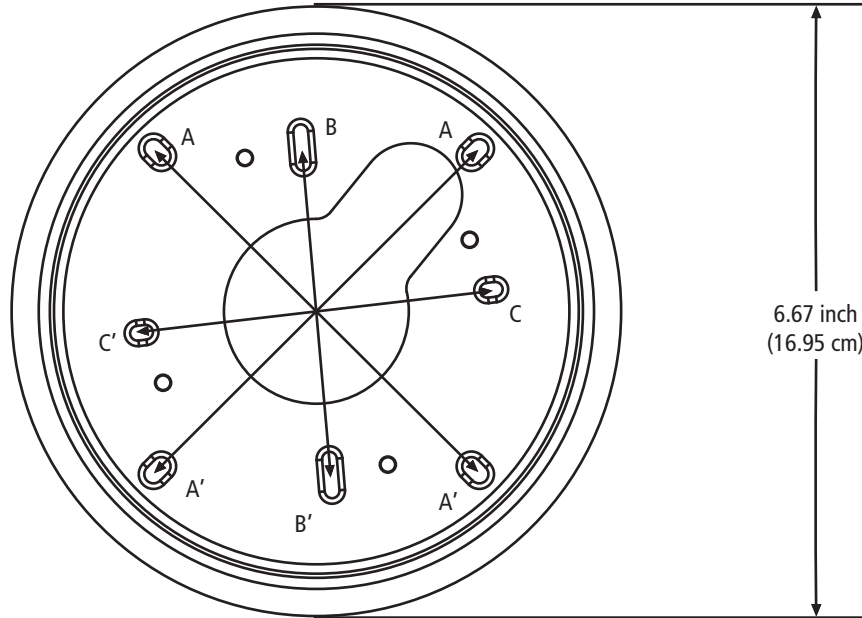


**Note:** The BNC connector should be covered to prevent grounding on the metal electrical box.

# Match the Adaptor mounting locations

Select the proper securing holes to match your electrical box selection.

- A. 4S Electrical Box
- B. Single Gang Box
- C. Double Gang Box



**Material:** SPCC ( Steel-Plate-ColdRolled-Coil )

**Color:** RAL 9003

**Weight:** 252 g

**Dimensions:**  $\varnothing = 6.67$  inch ( 16.95 cm )  
H = 0.32 inch ( 0.80 cm )

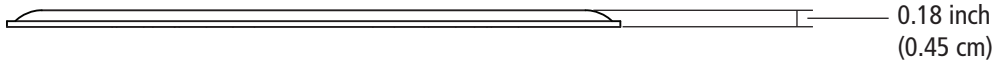
## Dimensions of the Apertures

A.  $\varnothing=0.23$  inch ( 0.59 cm ), A~A= 4.80 inch ( 12.20 cm ).

B.  $\varnothing=0.14$  inch ( 0.36 cm ), B~B= 3.78 inch ( 9.60 cm ).

C.  $\varnothing=0.21$  inch ( 0.53 cm ), C~C= 3.32 inch ( 8.42 cm ).

Top View



Side View